

DoubleTorus

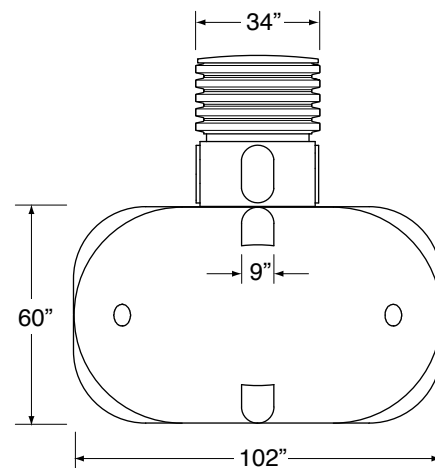
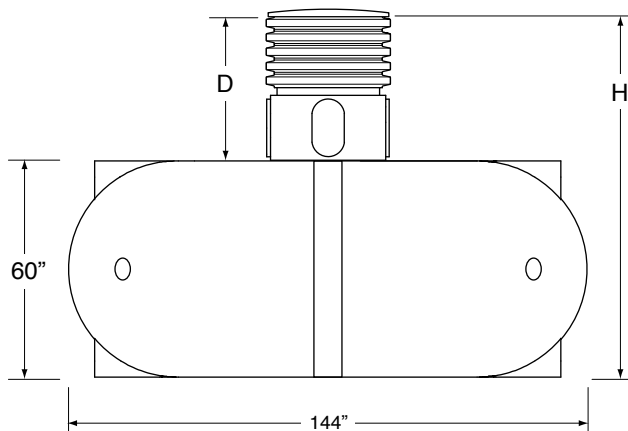
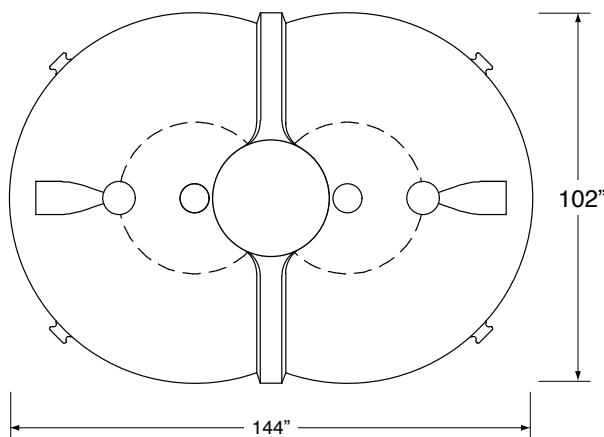
DoubleTorus is a high-strength underground tank made in the shape of a two-holed donut or “torus” with a single center rib. Unlike typical ribbed plastic tanks, the resulting tank has a smooth bottom with no places for debris to accumulate. The absence of ribs also makes the 2500 gallon volume virtually 100% usable. Side knobs are provided for lifting and anchoring.

Adome bolts onto the top of the tank, leaving a 24” diameter accessway into the tank. The dome can be mounted in any direction and has sufficient space for an internal filter and controls. A 30” diameter adjustable riser slides over the dome and provides ample room for access. Both the dome and riser have gasketed lids. Large flat surfaces on the dome, the top of the tank, and the ends of the tank facilitate connection to 4” or 6” pipes.

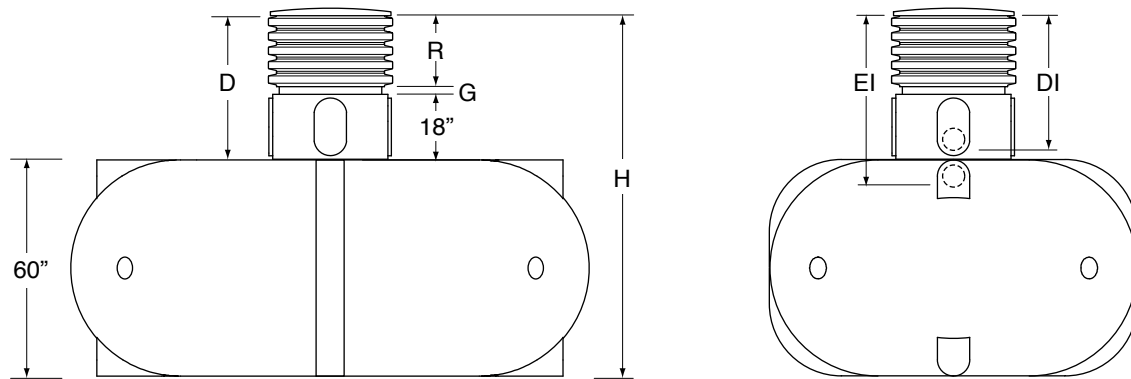


PHYSICAL CHARACTERISTICS

Model	Capacity	Length	Width	Height (H)	Depth (D)	Access	Weight
DoubleTorus-2500	2500 gal	144”	102”	90” - 105”	30” - 45”	24”	900 lb



BURIAL DEPTH AND PIPE INVERTS



Tank Dimensions				Pipe Invert at Dome (DI)		Pipe Invert at End (EI)	
Depth (D)	Riser (R)	Gap (G)	Height (H)	4" PVC	6" PVC	4" PVC	6" PVC
30"	12"	-	90"	19" - 27"	21" - 27"	36" - 38"	38"
31"	12"	1"	91"	20" - 28"	22" - 28"	37" - 39"	39"
32"	12"	2"	92"	21" - 29"	23" - 29"	38" - 40"	40"
33"	12"	3"	93"	22" - 30"	24" - 30"	39" - 41"	41"
34"	16"	-	94"	23" - 31"	25" - 31"	40" - 42"	42"
35"	16"	1"	95"	24" - 32"	26" - 32"	41" - 43"	43"
36"	16"	2"	96"	25" - 33"	27"-33"	42" - 44"	44"
37"	16"	3"	97"	26" - 34"	28" - 34"	43" - 45"	45"
38"	20"	-	98"	27" - 35"	29" - 35"	44" - 46"	46"
39"	20"	1"	99"	28" - 36"	30" - 36"	45" - 47"	47"
40"	20"	2"	100"	29" - 37"	31" - 37"	46" - 48"	48"
41"	20"	3"	101"	30" - 38"	32" - 38"	47" - 49"	49"
42"	24"	-	102"	31" - 39"	33" - 39"	48" - 50"	50"
43"	24"	1"	103"	32" - 40"	34" - 40"	49" - 51"	51"
44"	24"	2"	104"	33" - 41"	35" - 41"	50" - 52"	52"
45"	24"	3"	105"	34" - 42"	36" - 42"	51" - 53"	53"

NOTES:

- use only recommended fill
- minimum burial depth = 30" or frost depth
- maximum burial depth = 45" (insulate on top if frost depth is greater)
- minimum excavation depth = H + 6"
- longer risers available to raise lid above ground level
- use ring gaskets in dome: drill 5" hole for 4" ring gasket; drill 7" hole for 6" ring gasket
- use bulkhead fittings in bottom of tank