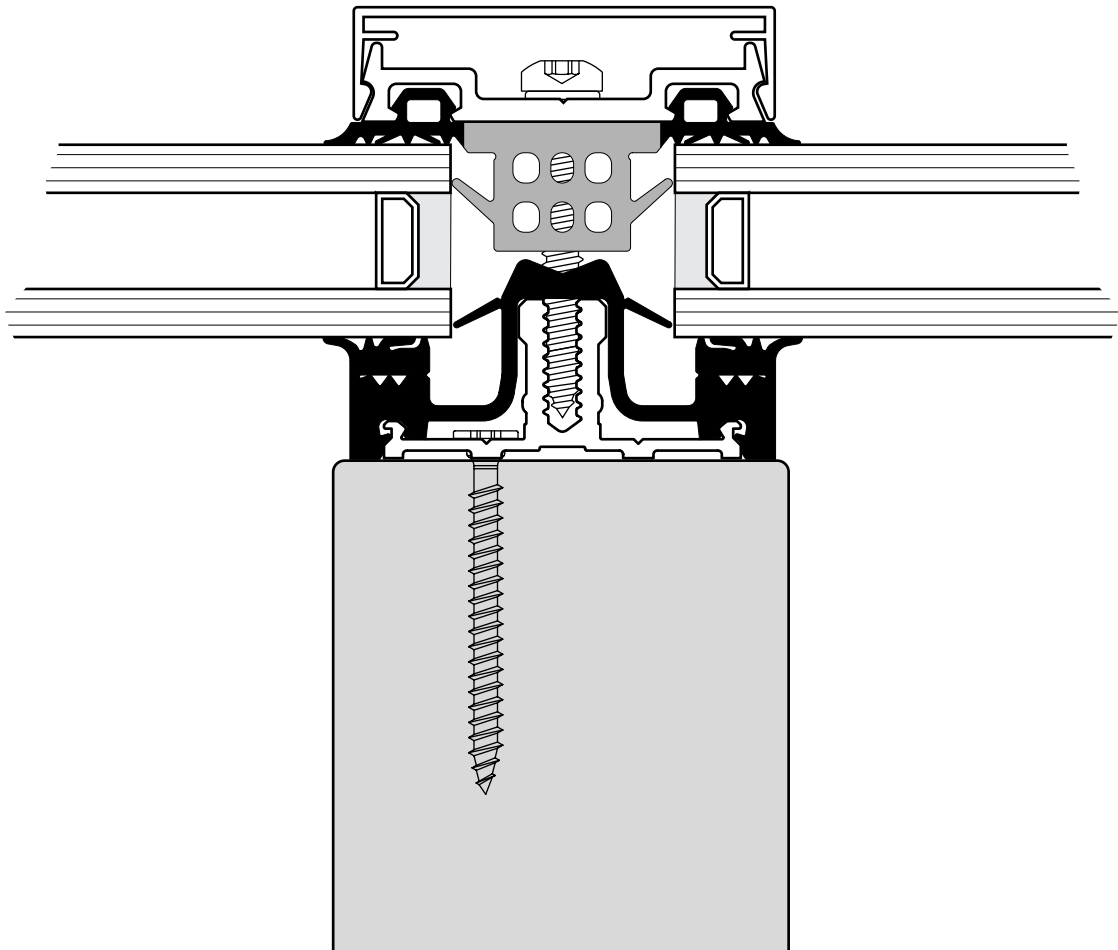
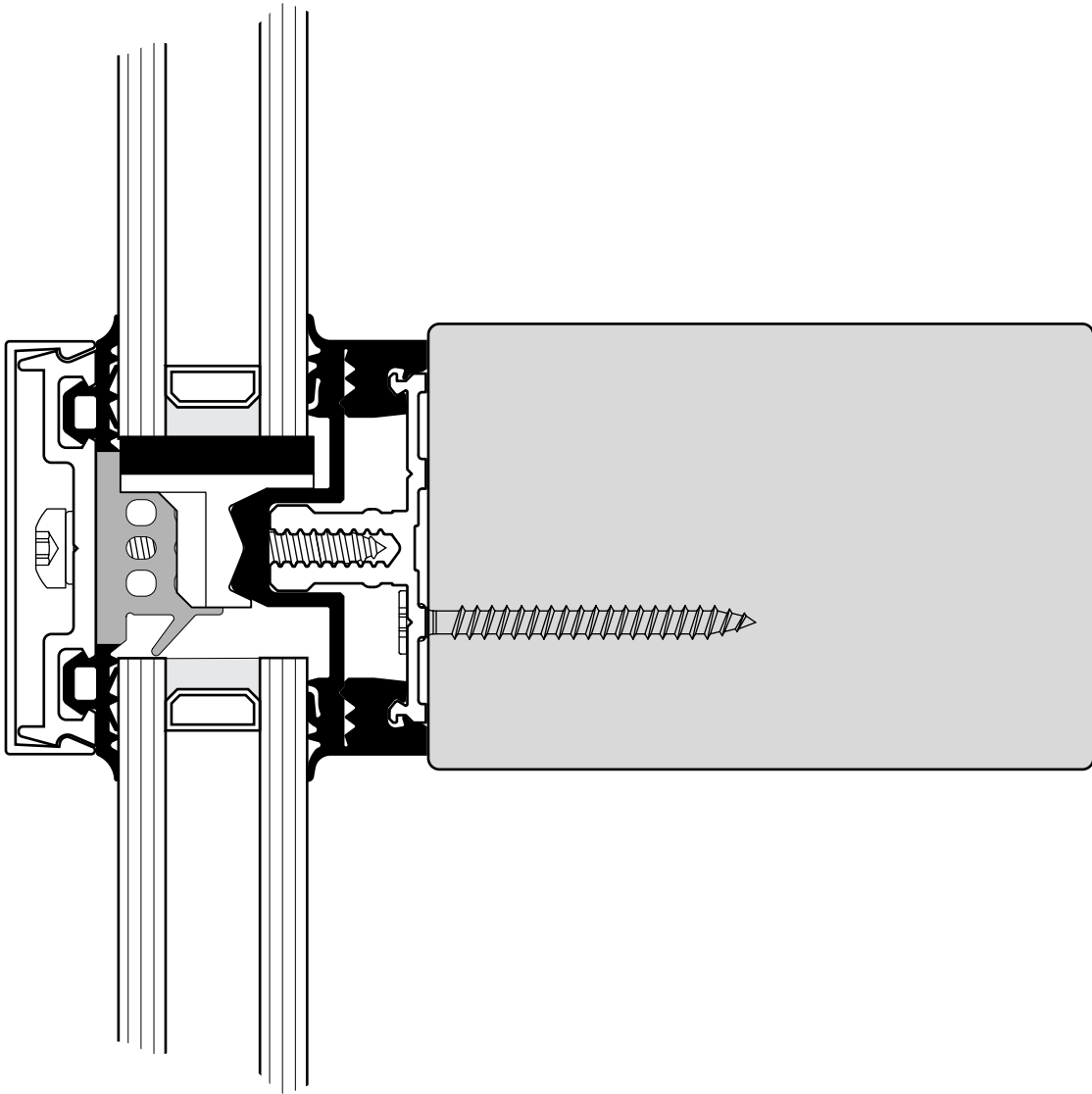


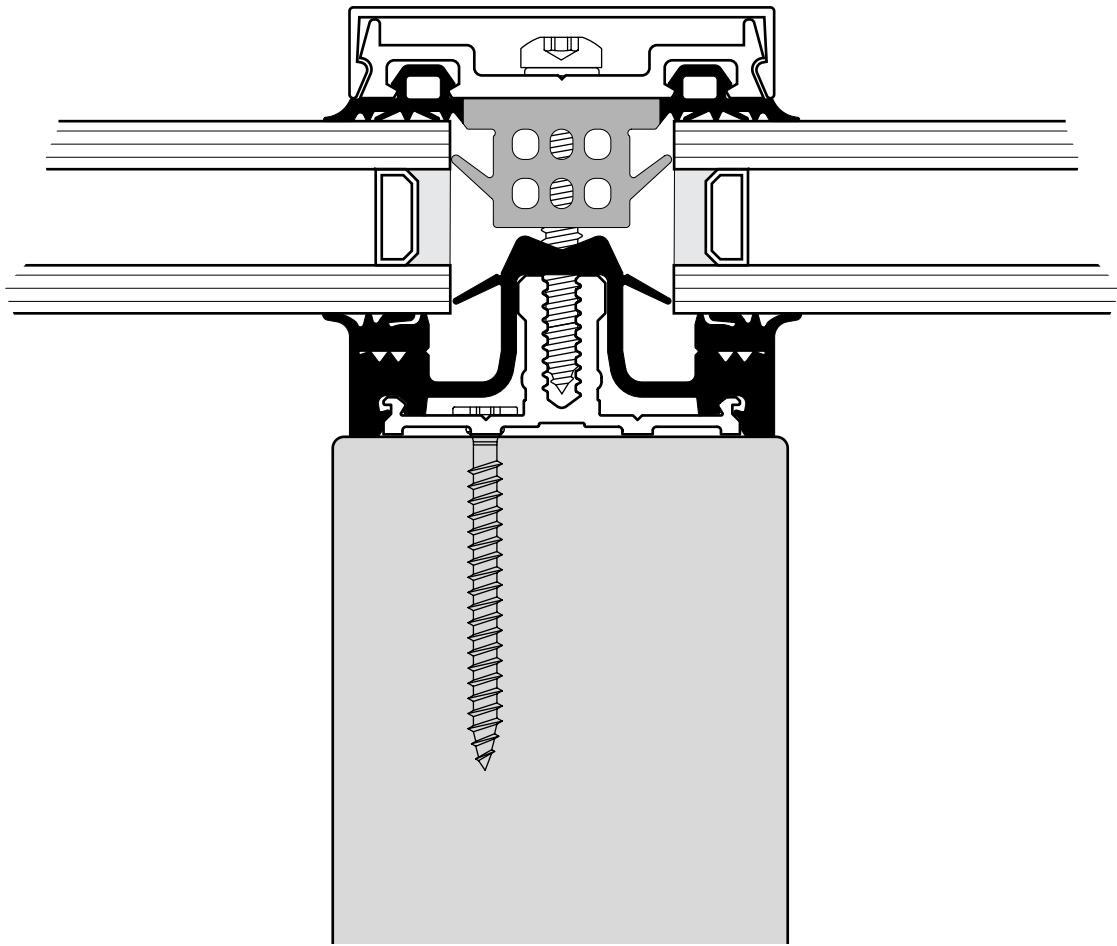
# **TIMBER GLAZING SYSTEM SECTIONS**



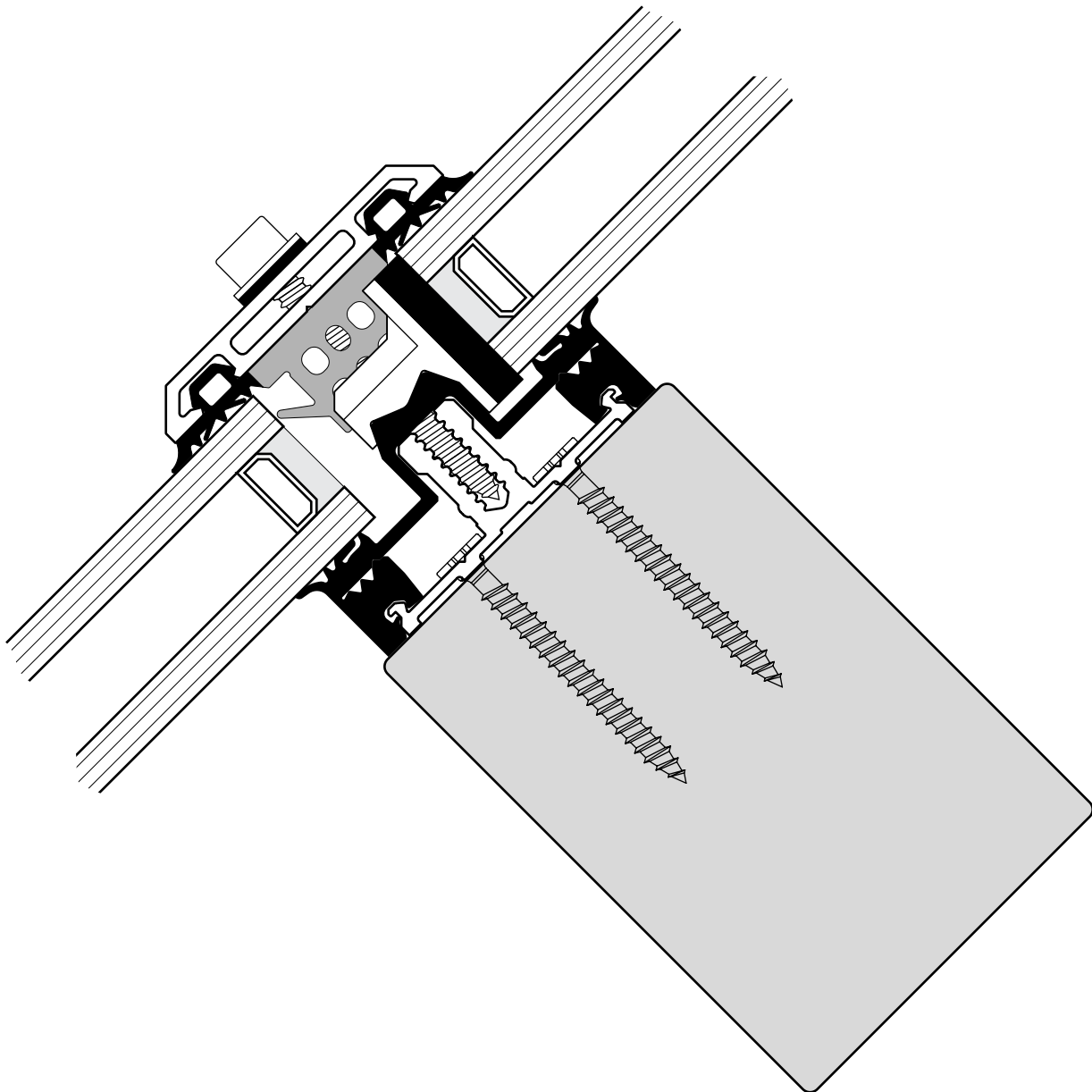
**MULLION**



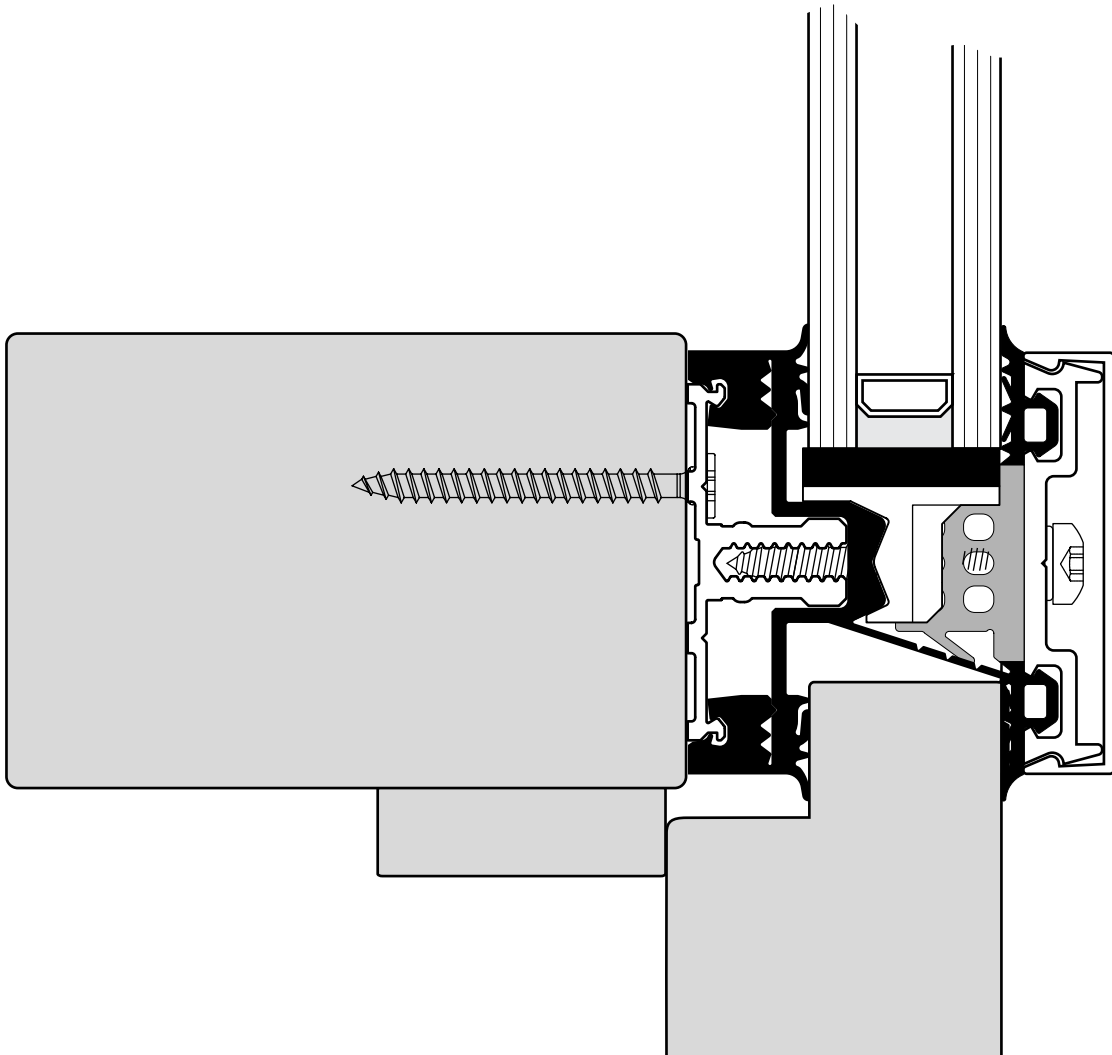
**TRANSOM**



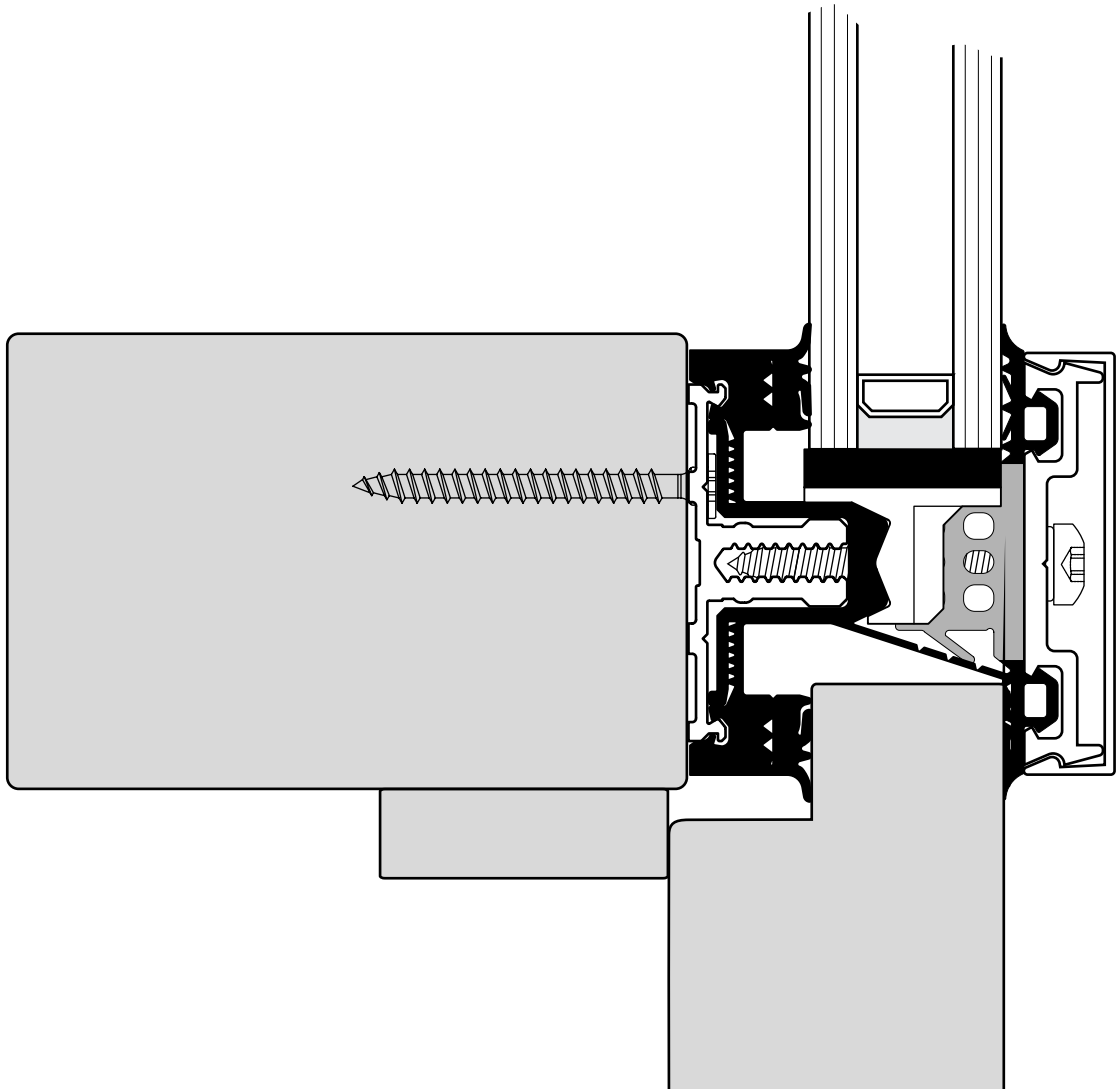
**RAFTER**



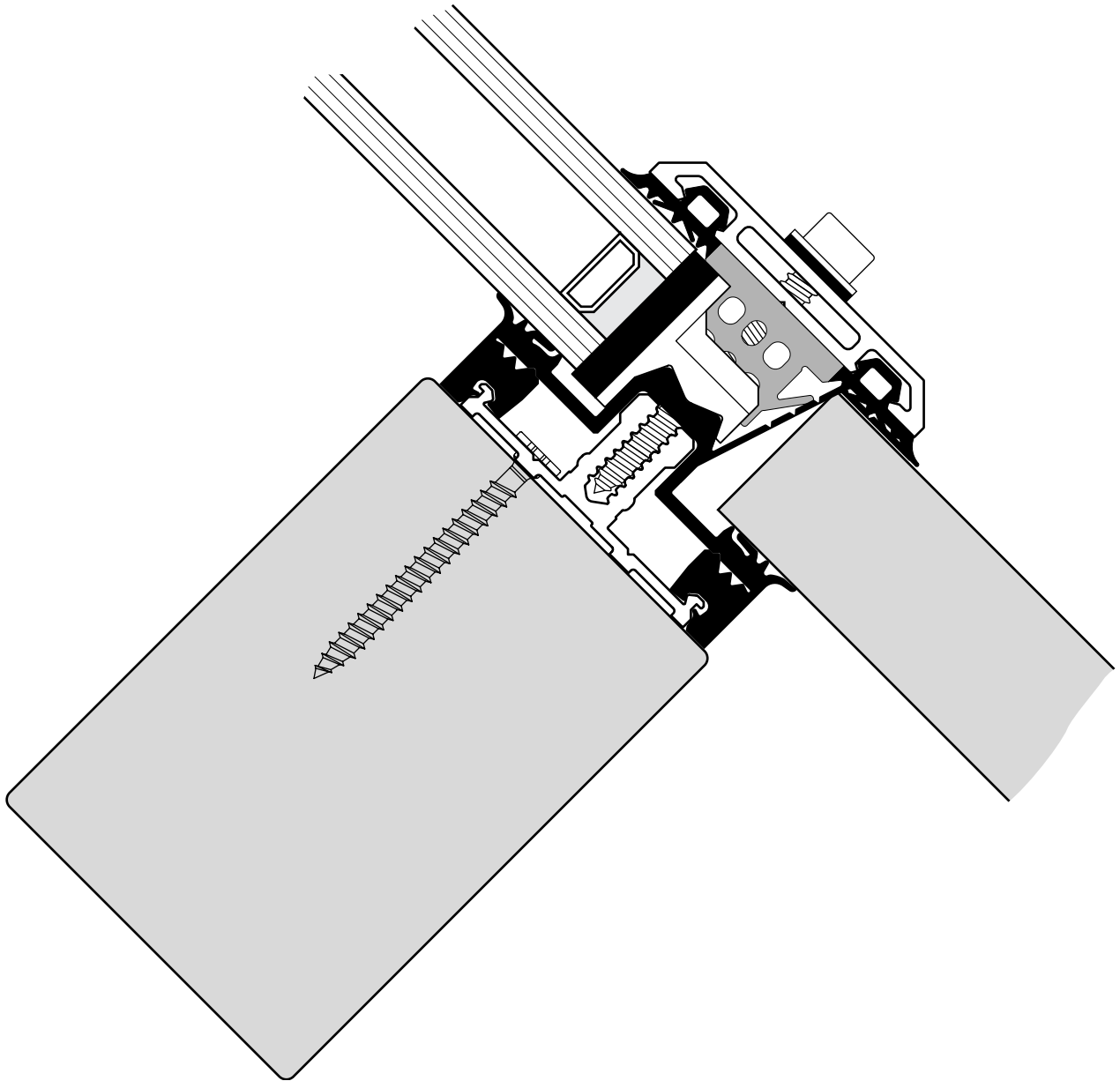
**PURLIN**



**WINDOW OR DOOR HEADER (ALIGNS WITH MULLION ABOVE)**

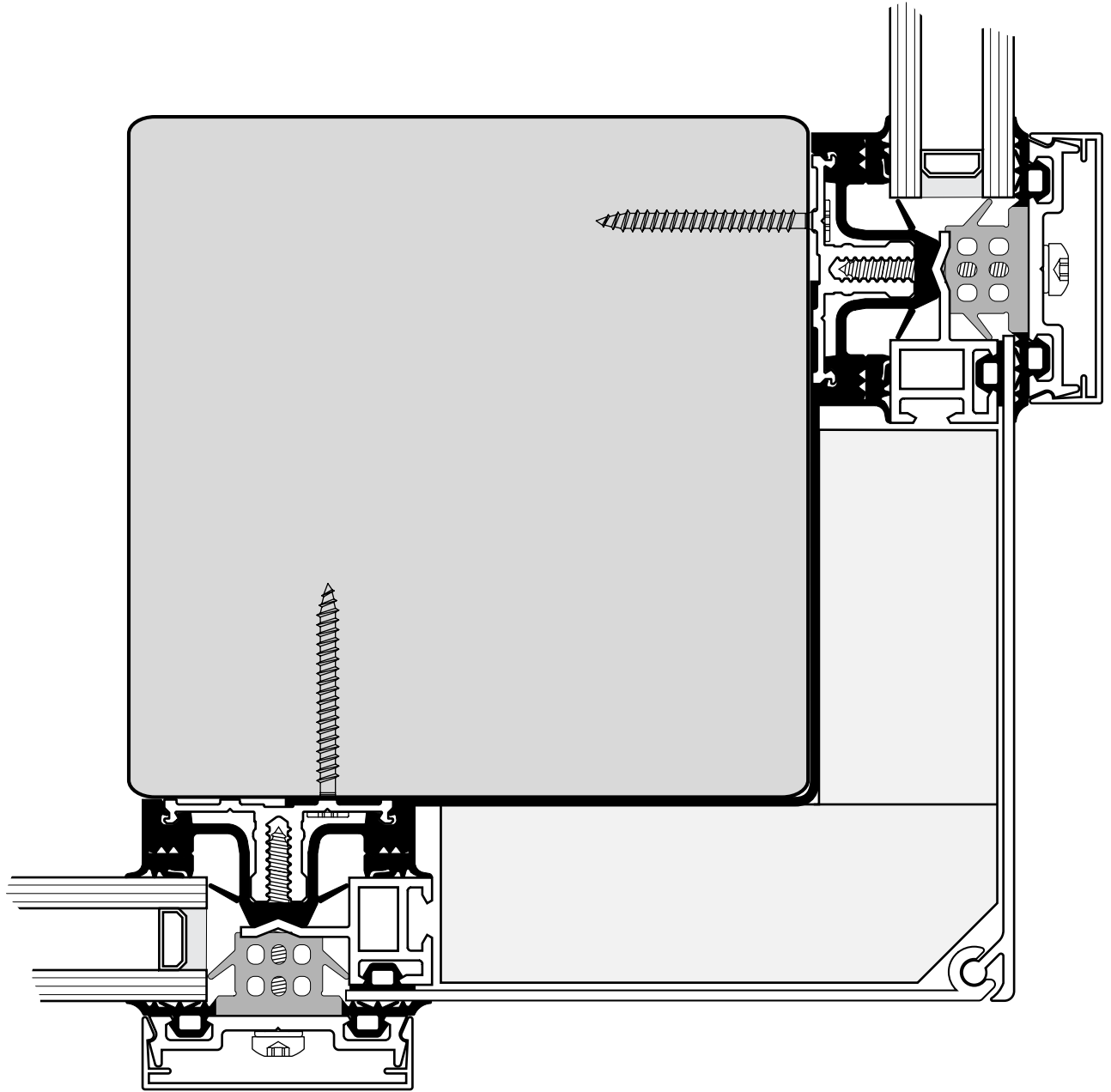


**WINDOW OR DOOR HEADER (CROSSES MULLION ABOVE)**

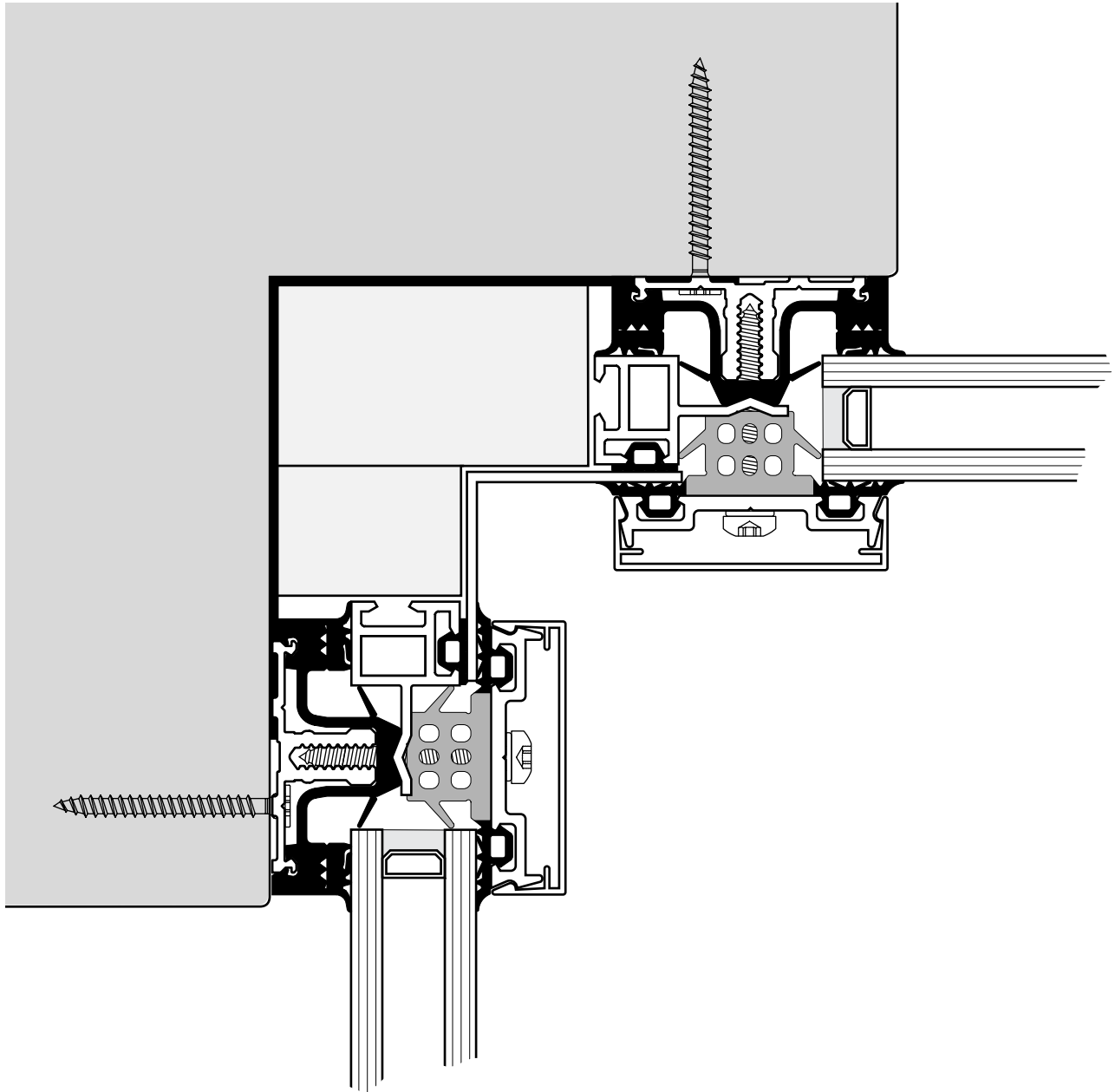


**ROOF INSERT HEADER (ALIGNS WITH RAFTER ABOVE)**

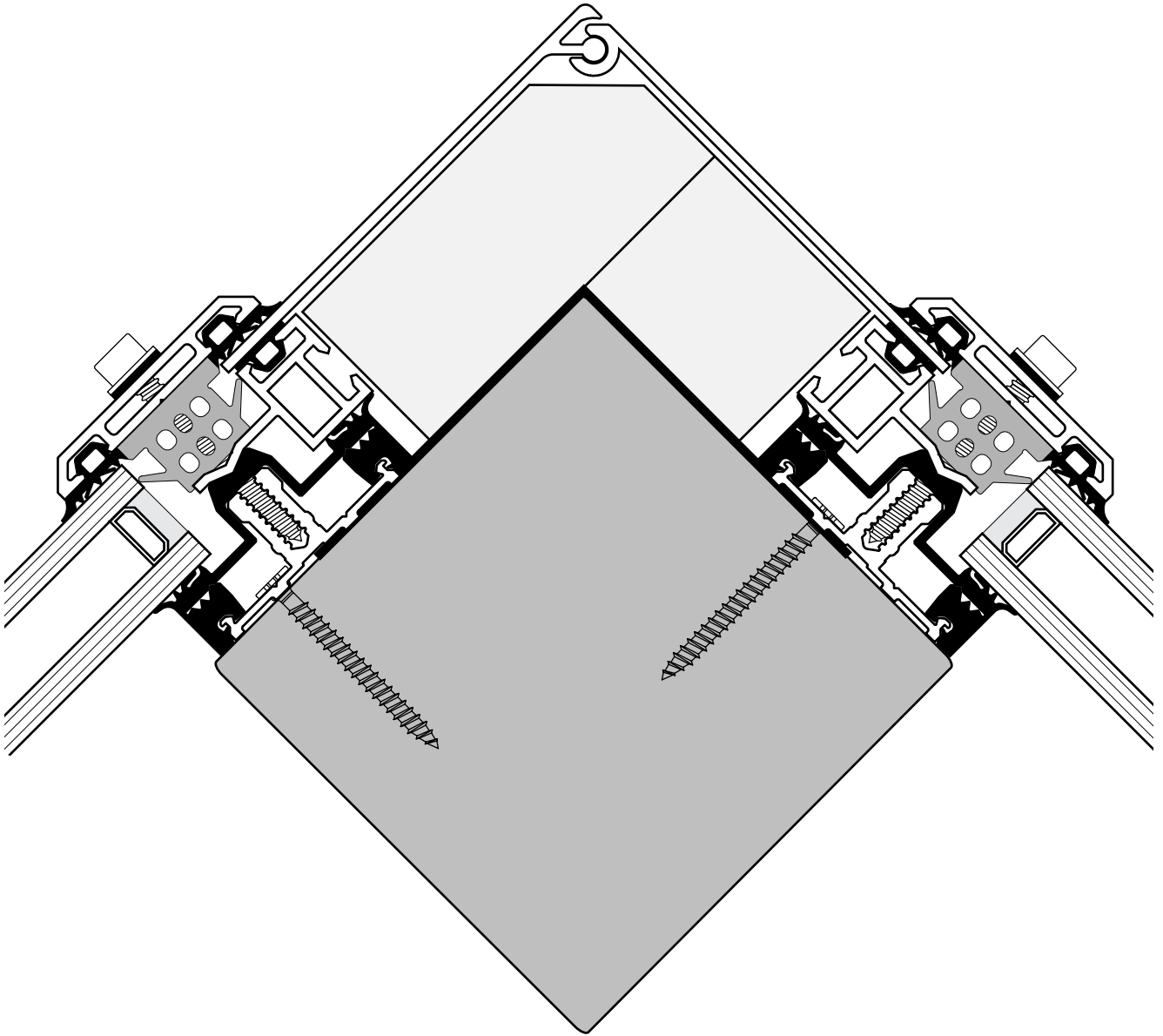




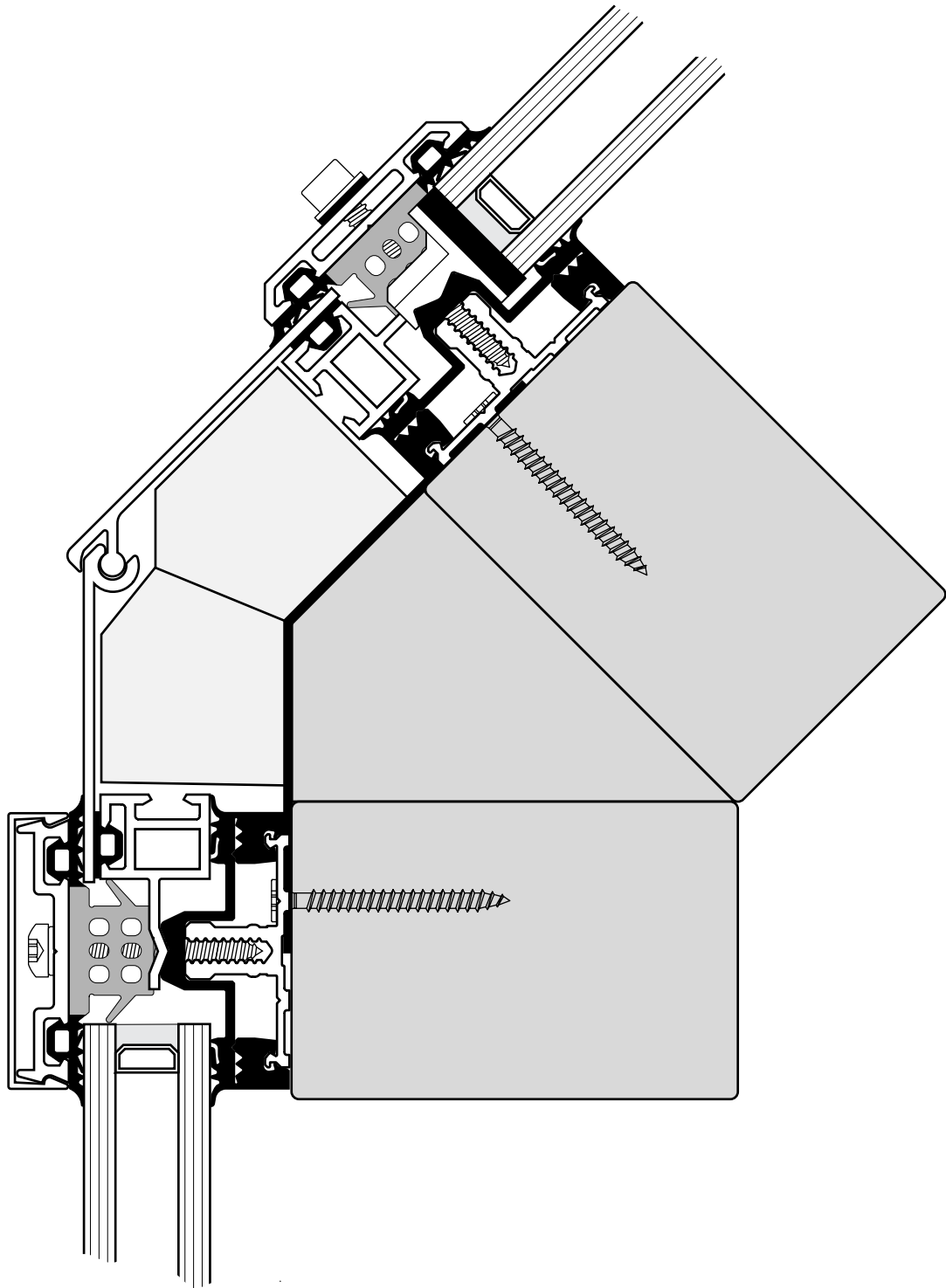
**WALL OUTSIDE CORNER (MULLION TO MULLION)**



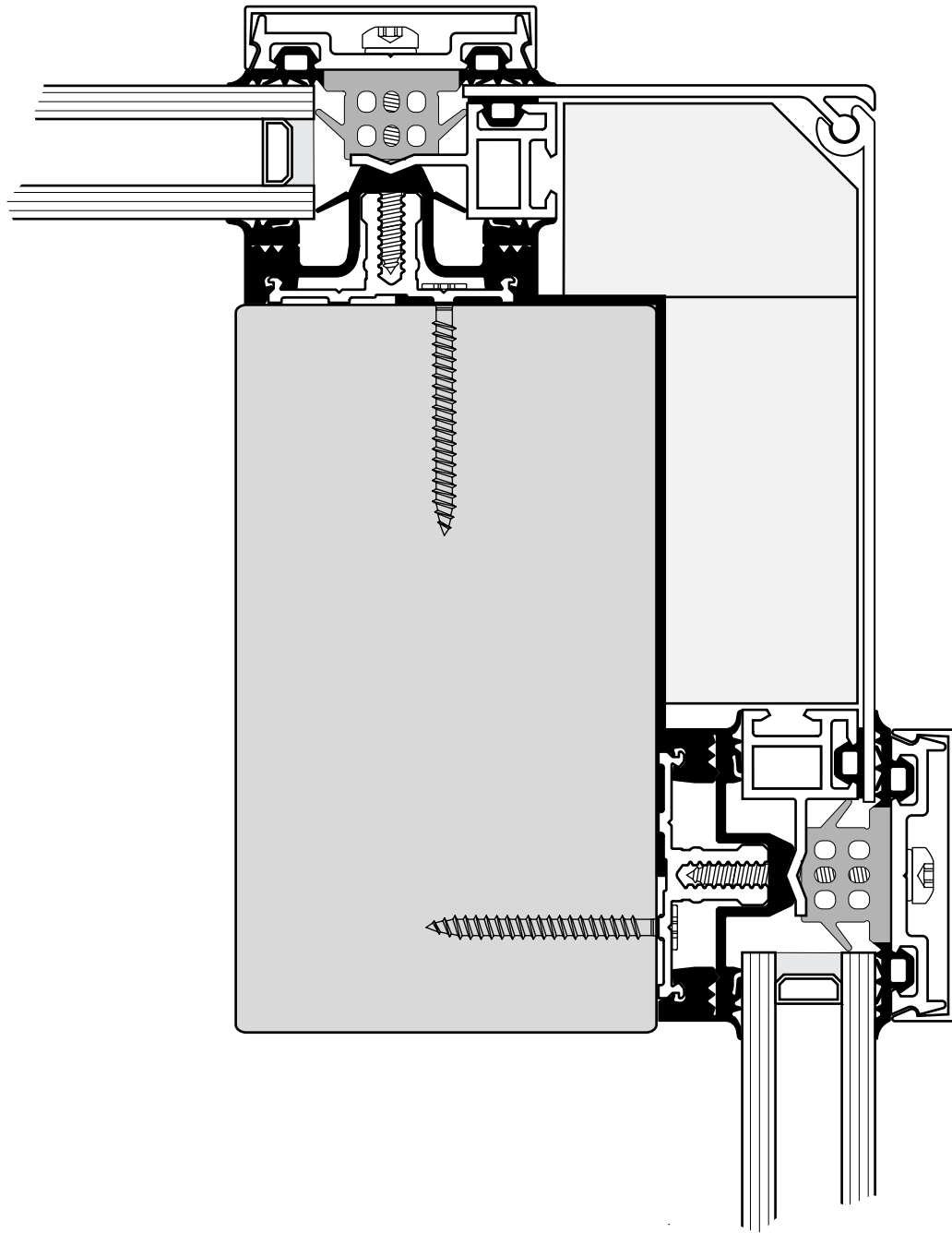
**WALL INSIDE CORNER (MULLION TO MULLION)**



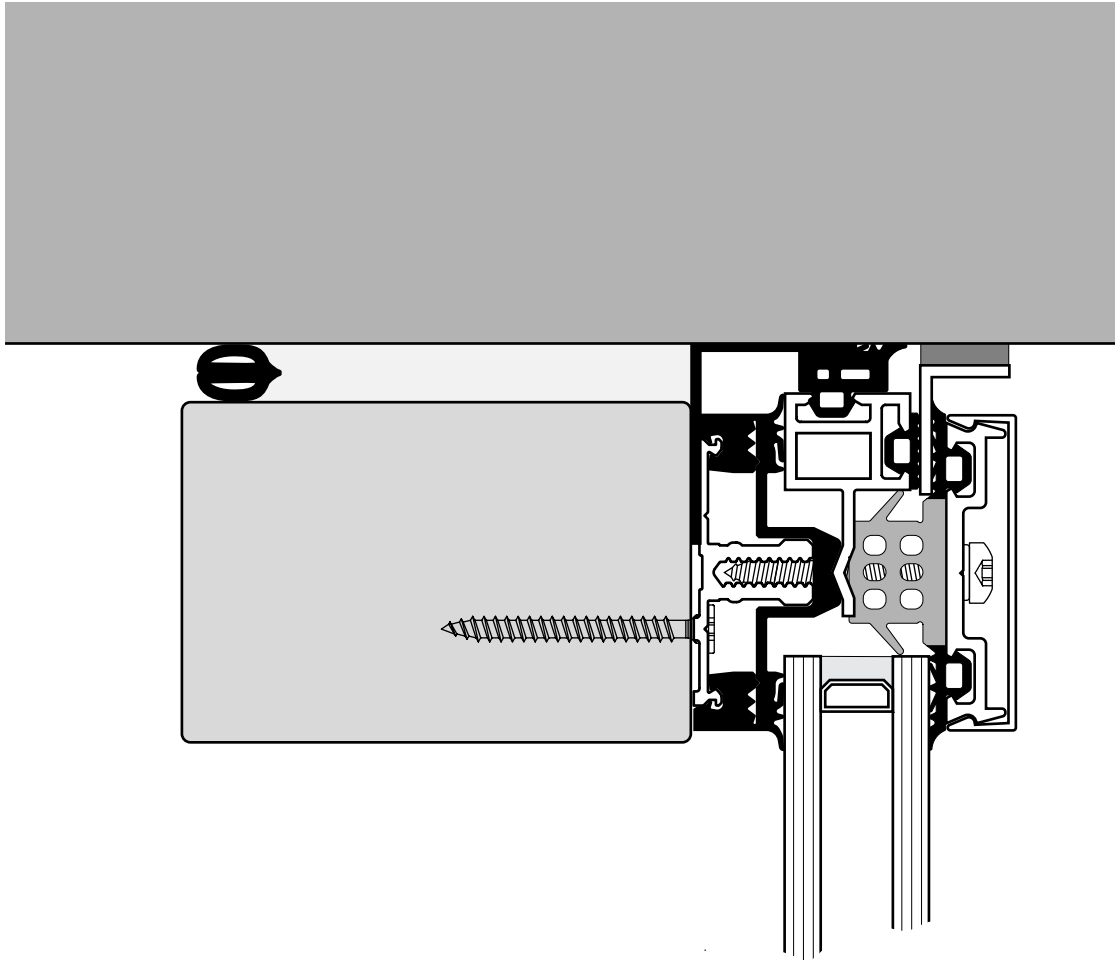
**ROOF PEAK (PURLIN TO PURLIN)**



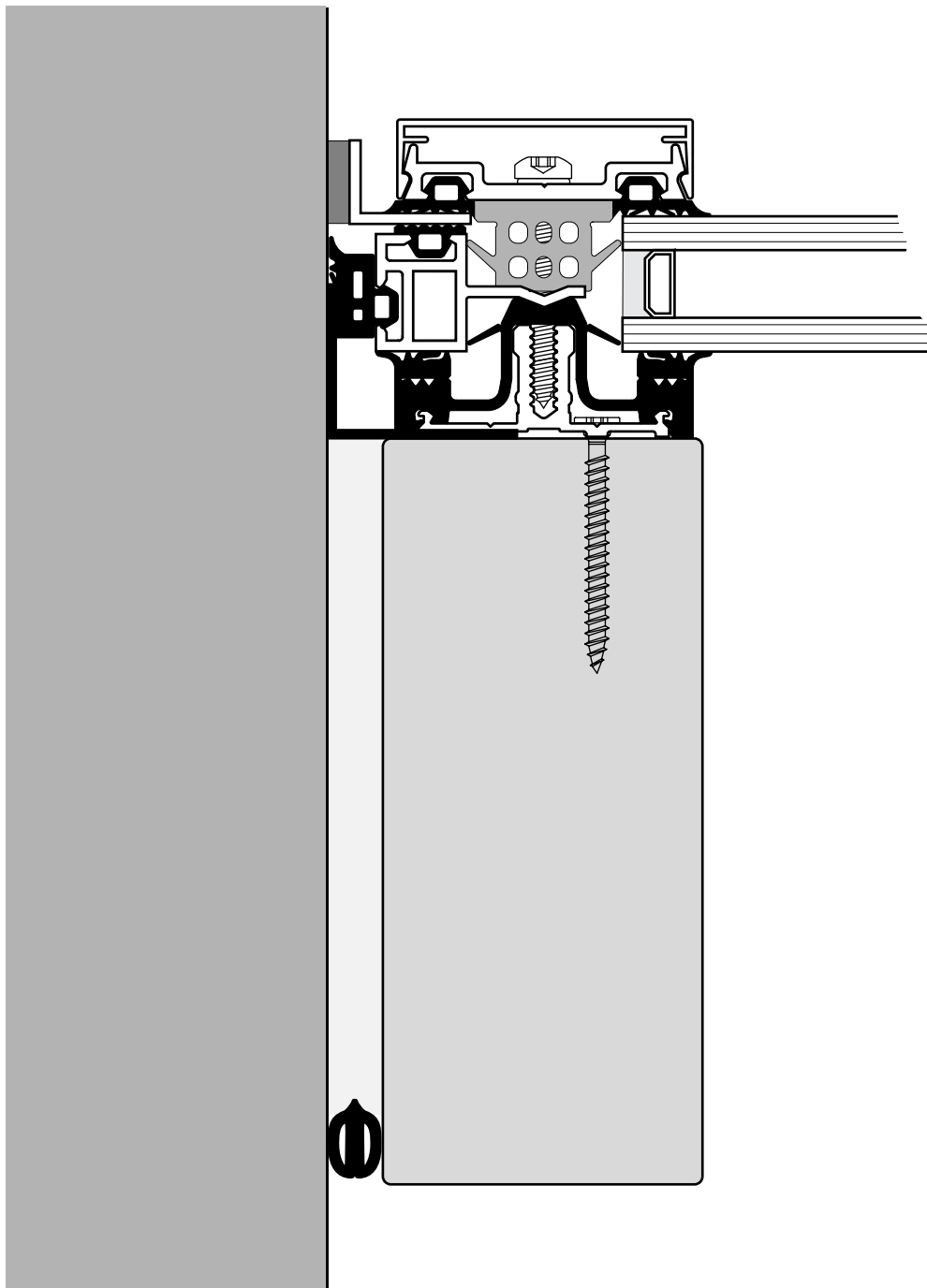
**ROOF-WALL TRANSITION (PURLIN TO TRANSOM)**



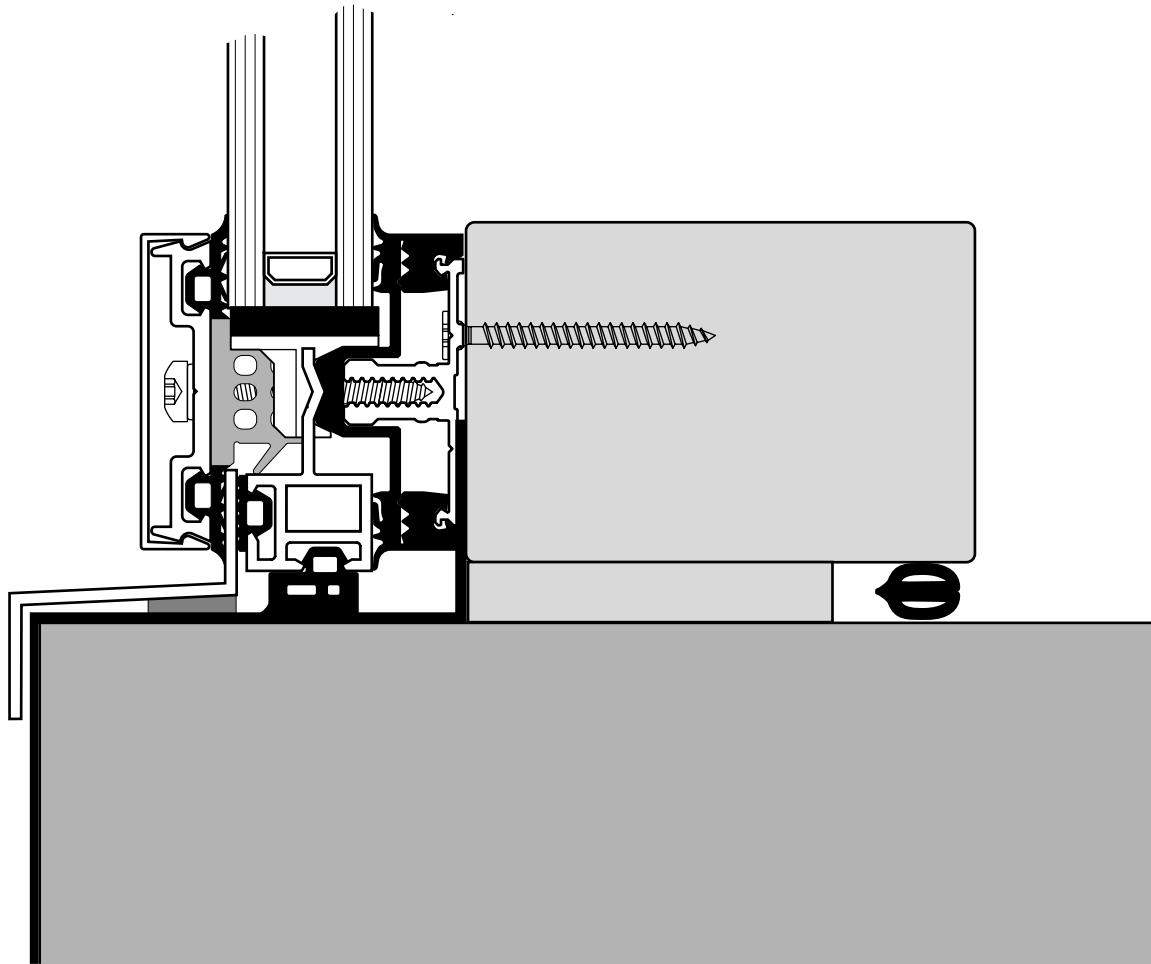
**ROOF-WALL TRANSITION (RAFTER TO MULLION)**



**WALL-HEADER FLASHING**

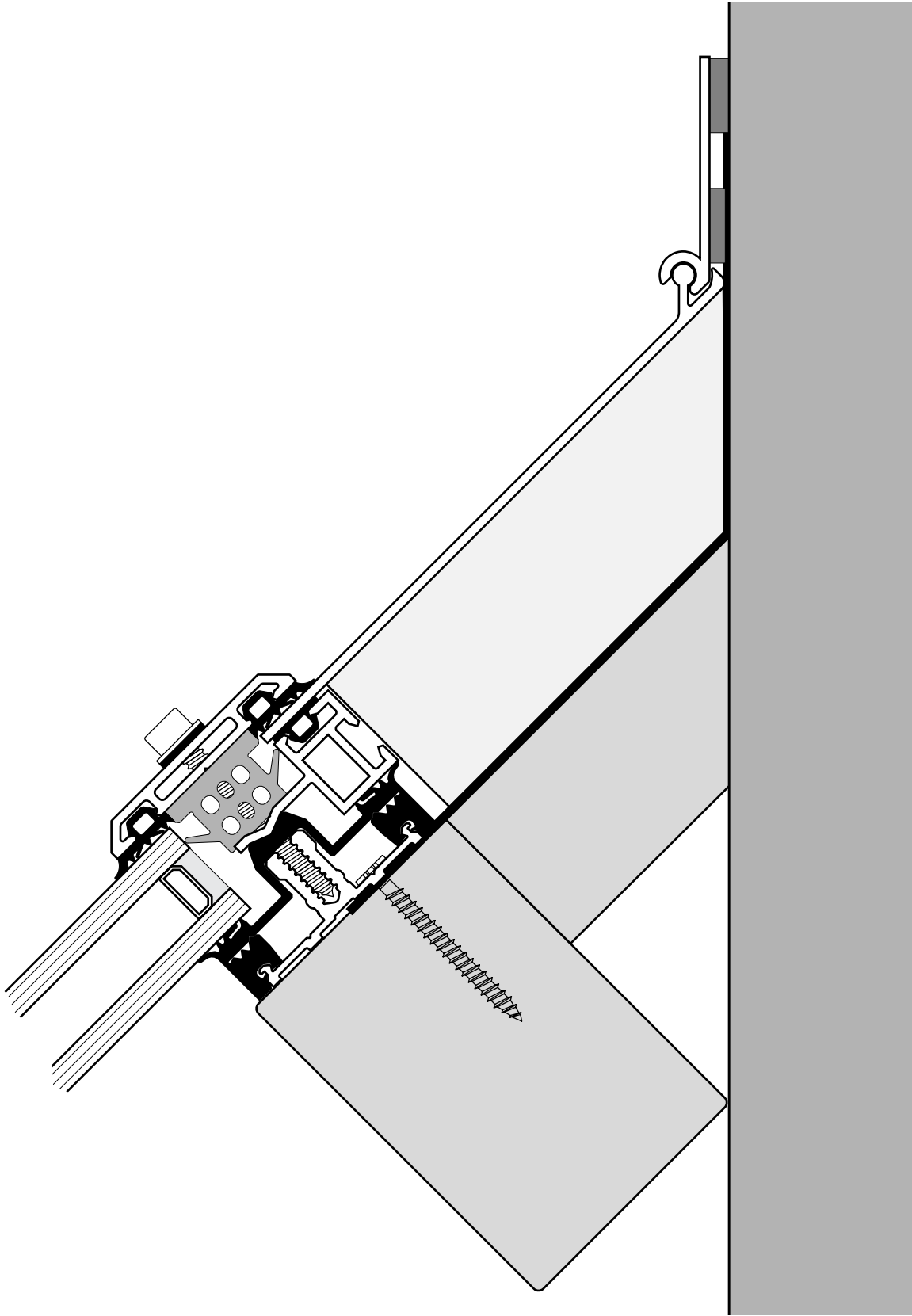


**WALL-SIDEWALL FLASHING**

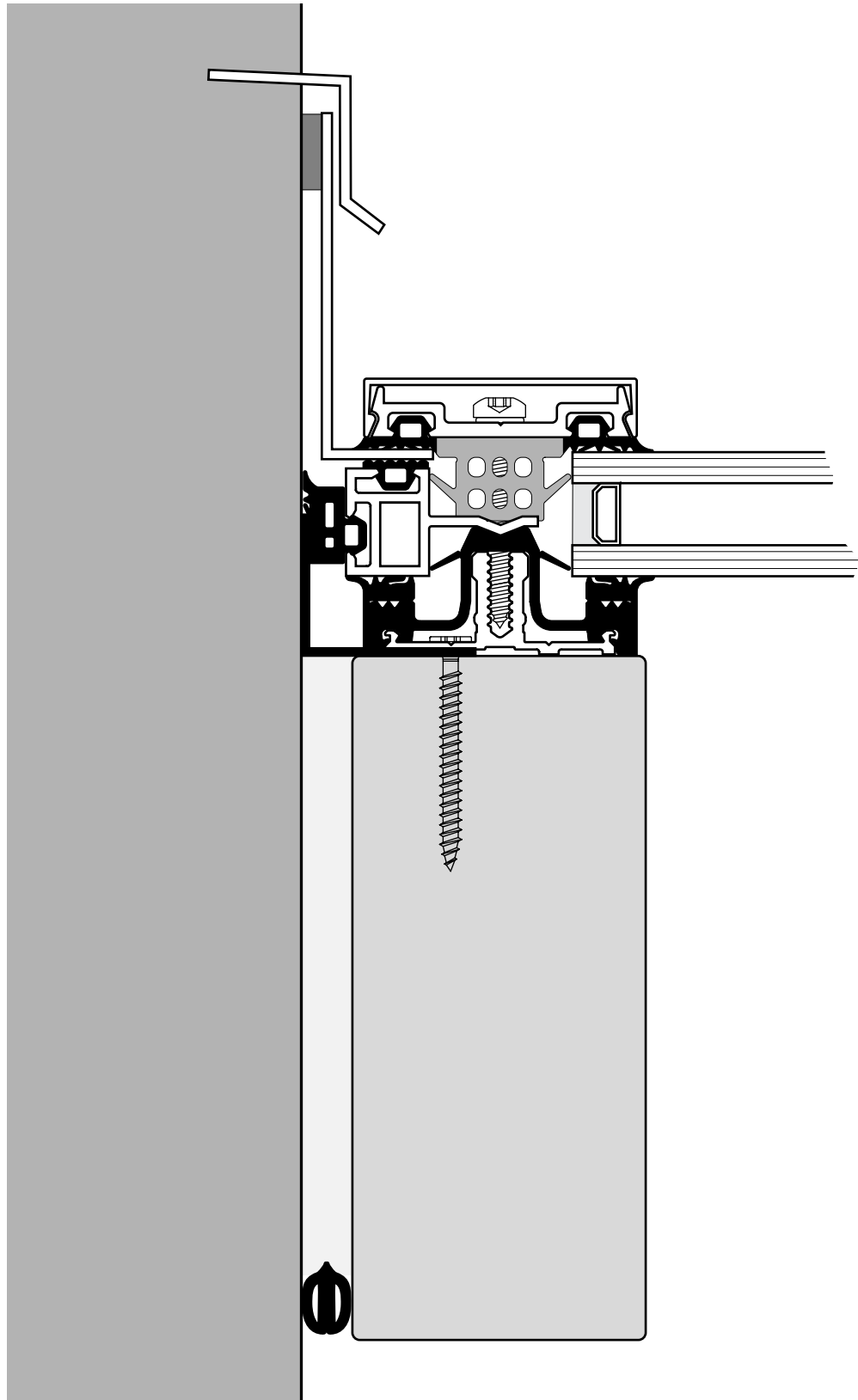


**WALL-SILL FLASHING**

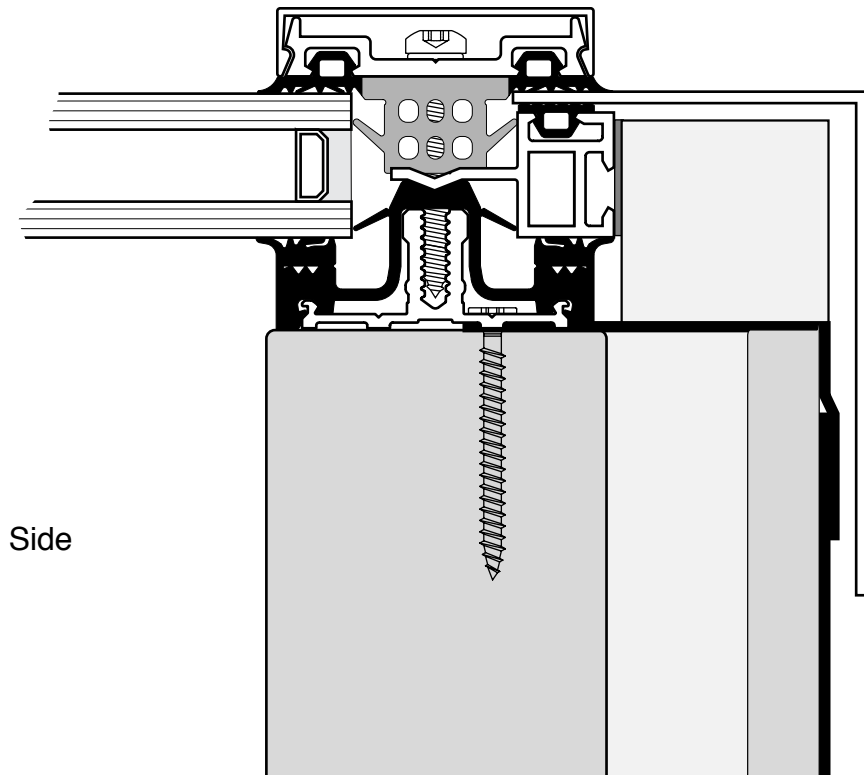




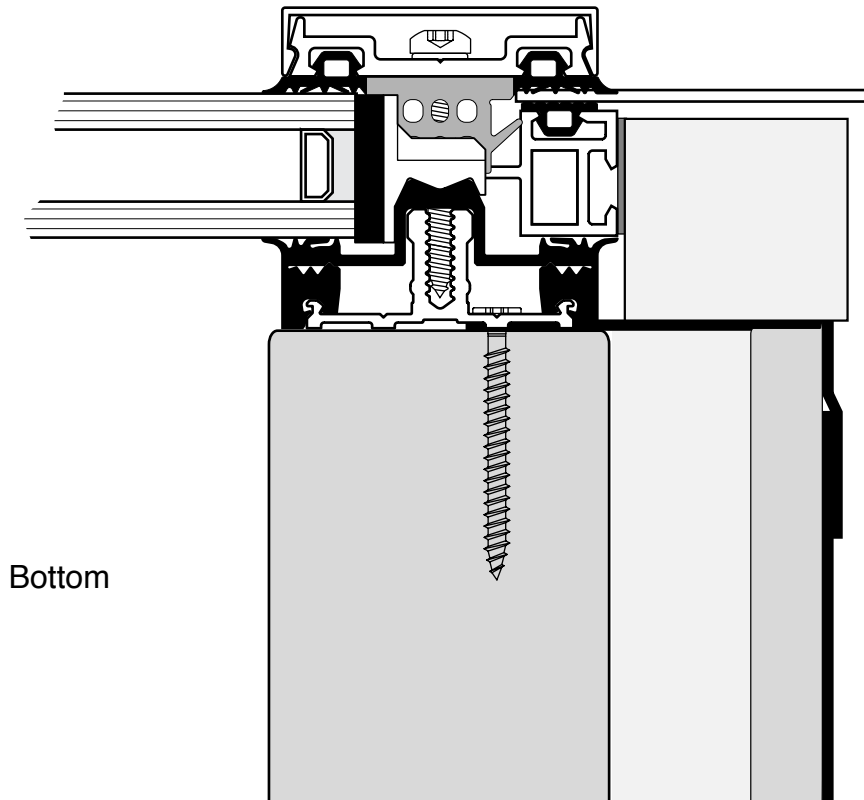
**ROOF HEADER FLASHING**



**ROOF-SIDEWALL FLASHING**



Side



Bottom

### SKYLIGHT FLASHINGS